

SC416/1

-  **LNB Powering from decoder**
-  **Smart Power Function**
-  **Very Compact Size**
-  **16 User Band**



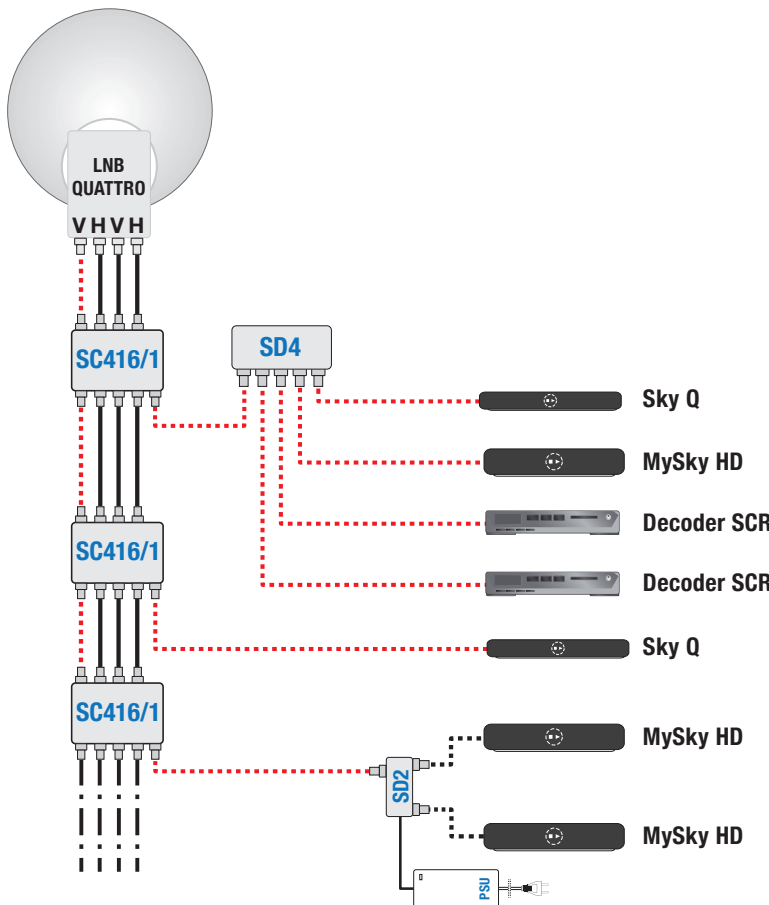
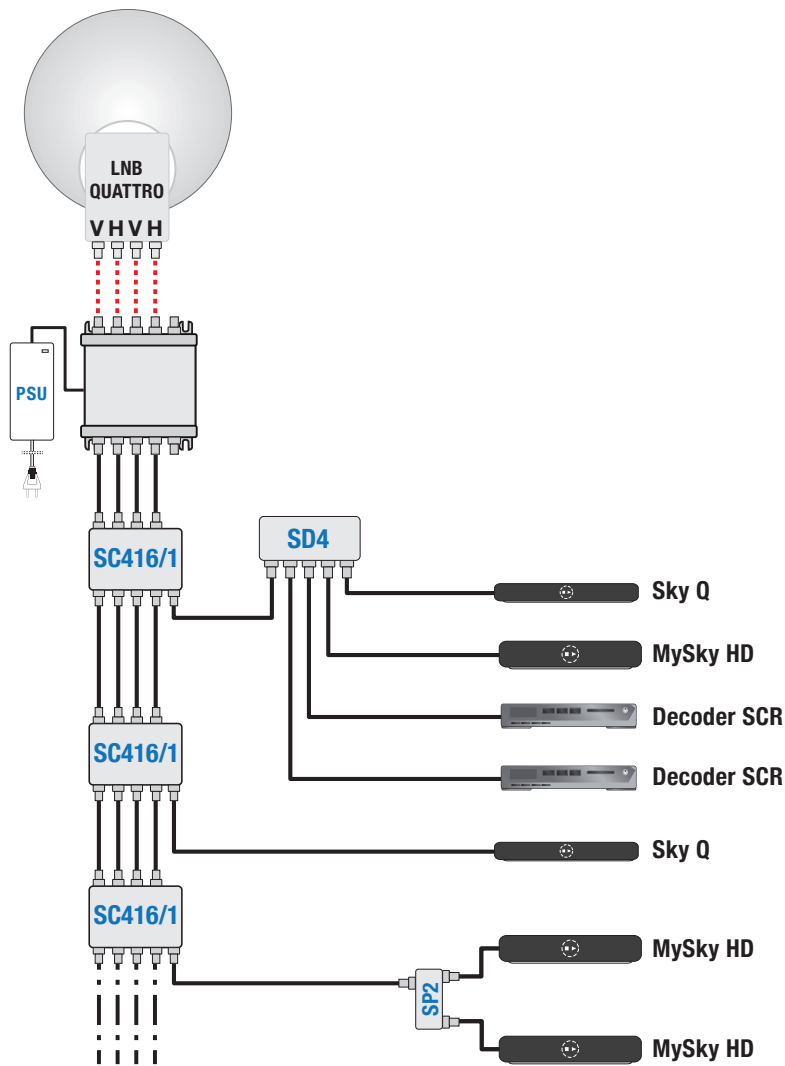
SKY APPROVED






Designed for
4K ULTRA HD

5
WARRANTY YEARS



MODEL		SC416/1
TYPE		Cascadable
INPUTS / OUTPUTS TRUNK		4 / 4
OUTPUT/TAPS		1
SATELLITE TRUNK FREQUENCY RANGE	MHz	950... 2200
SATELLITE TRUNK LOSS	dB	≤ 1
SATELLITE INPUTS POWER LEVEL RANGE	dBμV	60... 100
SATELLITE A.C.G. POWER LEVEL RANGE	dBμV	60... 90
SATELLITE OUTPUT/TAP FREQ. RANGE	MHz	950... 2150
MAX. SCR-dCSS OUTPUT LEVEL	dBμV	85
SCR/dCSS STANDARDS		Compliant with CENELC EN50494 (SCR) EN50607 (dCSS) SKY UK DSCR
SCR/dCSS USER BANDS		16
DiSEqC SIGNALLING		DiSEqC 1.0 / 2.0 Compliant
CROSSPOLARITY ISOLATION	dB	> 30
TRUNK ISOLATION	dB	> 30
PHASE NOISE	dBc/Hz	-90 @ DELTA F=1KHz
RETURN LOSS	dB	> 12
MAX. POWER CONSUMPTION @ 13V PER OUTPUT	mA	250
LNB MAX CURRENT @ 20V	mA	1000
DIMENSIONS LxHxP	mm	74x70x22



	2-Way Splitter with diodes
	2-Way Smart Splitter
	4-Way Smart Splitter
	SAT/DVB-T/FM-DAB Radio
	LNB Power Line