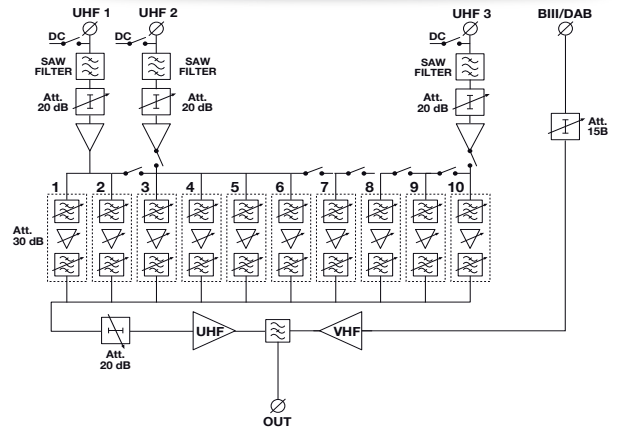


# FTA310SAW

- ▶ UHF inputs Lte protected by SAW FILTERS 470... 790 MHz
- ▶ AUTOLEVELING function for self-aligning UHF clusters
- ▶ USER PASSCODE
- ▶ Pc Windows and Smartphone/Tablet Android programmable
- ▶ 3 UHF inputs for 9 selectable configurations
- ▶ Input BIII/DAB active
- ▶ Die casting chassis



FTA310SAW				
NUMBER OF UHF INPUTS			3x (470... 790 MHz)	
NUMBER OF VHF INPUTS			1 BIII/DAB (170... 320 MHz)	
NUMBER OF OUTPUT			1	
NUMBER OF PROGRAMMABLE CLUSTERS			10	
NUMBER OF CHANNELS PER CLUSTER			1... 6 (8... 48 MHz) 60 channels	
INPUT CONFIGURATIONS			UHF1	UHF2
*IM3 DIN 45004B - 60 dBc (analogic channels)			10	0
**IM3 DIN 45004B - 35 dBc (digital channels)			9	0
			8	0
			7	0
			6	0
			2	6
			2	5
			2	4
			2	7
				1
INPUT ATTENUATORS VHF-UHF	dB		VHF 0...-15 UHF 0... -20	
CLUSTER GAIN ADJUSTER	dB		0... -30	
MAX UHF INPUT LEVEL	dBμV		100*/105**	
VHF GAIN	dB		18	
UHF GAIN	dB		20	
MAX OUTPUT LEVEL VHF-UHF	dBμV		100*/105**	
NOISE FIGURE	dB		VHF < 7,0 UHF < 6,0	
CLUSTERS SELECTIVITY +/- 10 MHZ	dB		12	
RETURN LOSS IN/OUT	dB		>12	
REMOTE POWER SUPPLY VHF-UHF INPUTS			12V / 100 mA 24 V / 100 mA	
POWER SUPPLY			230 VAC +/-10% 12W (External Adapter DC 7,5 Volt 2A)	
DIMENSIONS	mm		247 x 200 x 40	