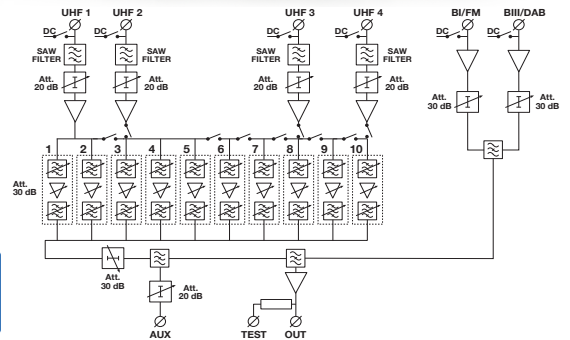


AT50SAW

- ▶ UHF inputs Lte protected by SAW FILTERS 470... 790 MHz
- ▶ AUTOLEVELING function for self-aligning of UHF clusters
- ▶ USER PASSCODE
- ▶ Programmable through unit key
- ▶ Pc Windows and Smartphone/Tablet Android programmable
- ▶ 4 UHF inputs for 15 selectable configurations
- ▶ Die casting chassis



AT50SAW

NUMBER OF UHF INPUTS		4x (470... 790 MHz)
NUMBER OF VHF INPUTS		1 BI/FM (40... 108 MHz) 1 BIII/DAB (170... 320 MHz)
NUMBER OF AUX INPUTS		1 (40... 862 MHz)
NUMBER OF OUTPUTS		1
TEST OUTPUT		1 (-30 dB)
NUMBER OF PROGRAMMABLE CLUSTERS		10
NUMBER OF CHANNELS PER CLUSTER		1... 6 (8... 48 MHz) 60 channels
INPUT CONFIGURATIONS		UHF1 UHF2 UHF3 UHF4
*IM3 DIN 45004B - 60 dBc (analogic channels)		10 0 0 0
**IM3 DIN 45004B - 35 dBc (digital channels)		9 0 0 1
		8 0 0 2
		7 0 3 0
		6 0 4 0
		5 0 5 0
		7 0 2 1
		6 0 3 1
		6 0 2 2
		5 0 4 1
		5 0 3 2
		2 5 2 1
		2 4 3 1
		2 4 2 2
		2 3 3 2
INPUT ATTENUATORS VHF-UHF	dB	0... -20
CLUSTER GAIN ADJUSTER	dB	0... -30
MAX UHF INPUT LEVEL	dBμV	100* / 105**
UHF GAIN	dB	50
VHF GAIN	dB	46
AUX GAIN		25
MAX OUTPUT LEVEL VHF-UHF	dBμV	123*/128**
NOISE FIGURE	dB	VHF < 7,0 UHF < 6,0
CLUSTERS SELECTIVITY +/- 10 MHZ	dB	12
RETURN LOSS IN/OUT	dB	>12
REMOTE POWER SUPPLY VHF-UHF INPUTS		12V/200 mA 24V/100 mA
POWER SUPPLY		230 VAC +/-10% 16W
DIMENSIONS	mm	320 x 260 x 60