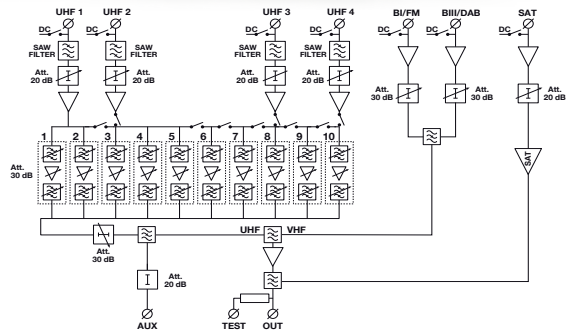


ATS50SAW

- ▶ IF-SAT amplifier 40 dB / 120 dBμV
- ▶ UHF inputs Lte protected by SAW FILTERS 470... 790 MHz
- ▶ AUTOLEVELING function for self-aligning of UHF clusters
- ▶ USER PASSCODE
- ▶ Pc Windows and SmartphoneTablet Android programmable
- ▶ 4 UHF inputs for 15 selectable configurations
- ▶ Die casting chassis



ATS50SAW						
NUMBER OF UHF INPUTS					4x (470... 790 MHz)	
NUMBER OF VHF INPUTS					1 BI/FM (40... 108 MHz) 1 BIII/DAB (170... 320 MHz)	
NUMBER OF AUX INPUTS					1 (40... 862 MHz)	
NUMBER OF IF-SAT INPUTS					1 (950... 2150 MHz)	
NUMBER OF OUTPUTS					1	
NUMBER OF PROGRAMMABLE CLUSTERS					10	
NUMBER OF CHANNELS PER CLUSTER					1... 6 (8... 48 MHz) 60 channels	
INPUT CONFIGURATIONS						
			UHF1	UHF2	UHF3	UHF4
			10	0	0	0
			9	0	0	1
			8	0	0	2
			7	0	3	0
			6	0	4	0
			5	0	5	0
			7	0	2	1
			6	0	3	1
			6	0	2	2
			5	0	4	1
			5	0	3	2
			2	5	2	1
			2	4	3	1
			2	4	2	2
			2	3	3	2
INPUT ATTENUATORS VHF-UHF	dB					0... -20
CLUSTER GAIN ADJUSTER	dB					0... -30
MAX UHF INPUT LEVEL	dBμV					100* / 105**
VHF-UHF GAIN	dB					46 - 50
MAX OUTPUT LEVEL VHF-UHF	dBμV					123*/128**
NOISE FIGURE	dB					VHF < 7,0 UHF < 6 IF-SAT < 8,0
IF-SAT GAIN / OUTPUT LEVEL						45 dB (TILT 8 dB) / 120 dBμV
CLUSTERS SLECTIVITY +/- 10 MHZ	dB					12
RETURN LOSS IN/OUT	dB					>12
TEST OUTPUT						1 (-30 dB)
REMOTE POWER SUPPLY VHF-UHF INPUTS						12V/200 mA 24V/100 mA
IF-SAT REMOTE POWER SUPPLY						13/18 Volt 0/22 KHZ 300 mA
POWER SUPPLY						230 VAC +/-10% 20W
DIMENSIONS	mm					320 x 260 x 60

*IM3 DIN 45004B - 60 dBc (analogic channels)
 **IM3 DIN 45004B - 35 dBc (digital channels)