

SCX516evo SERIES

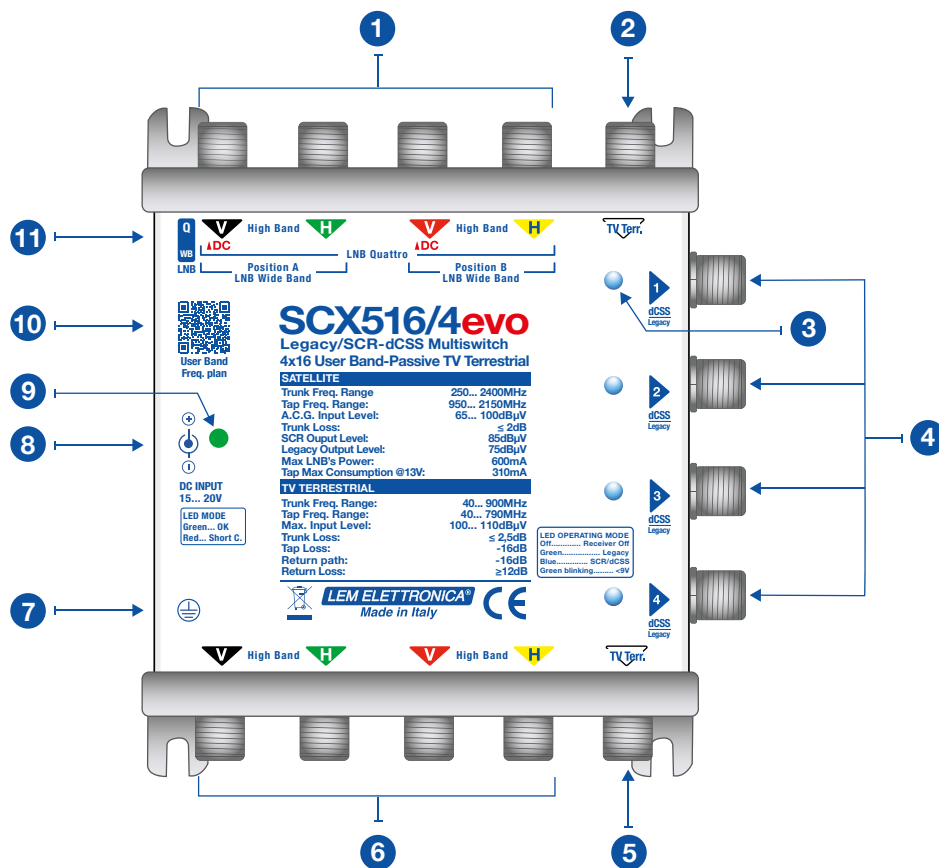
- Quattro / WideBand LNB switch selector
- New compact size
- Legacy/SCR-dCSS automatic selection
- 16 User band for each output
- Diagnostic/Status Led
- DC input for multiswitch and LNB powering



Ready for UHDTV



5 CABLES 2/4/6/8 TAPS		SCX516/2EVO	SCX516/4EVO	SCXA516/6EVO	SCX516A/8EVO
TYPE		Cascadable			
N° INPUTS / OUTPUTS		5/5			
N° TAPS		2	4	6	8
SATELLITE					
TRUNK FREQUENCY RANGE	MHz	250... 2.400			
TAPS FREQUENCY RANGE	MHz	950... 2.150			
A.C.G. INPUT RANGE	dBμV	65... 100			
SCR/dCSS TAP OUTPUT LEVEL	dBμV	85			
LEGACY TAP OUTPUT LEVEL	dBμV	78			
TRUNK LOSS SATELLITE	dB	≤ 2	≤ 2	≤ 3	≤ 4
SUPPORTED STANDARDS		LEGACY / EN 50494 / EN 50607 / SKY UK (Automatic Selection)			
AVAILABLE USER BAND FREQUENCY PLANS		SKY ITALIA - SKY UK - MULTICHOICE - CYFROWY POLSAT			
MAXIMUM CURRENT DRAIN @ 13V PER OUTPUT	mA	310			
MAXIMUM LNB(S) POWER	mA	600			
TV TERRESTRIAL					
TRUNK FREQUENCY RANGE	MHz	40... 900			
TAPS FREQUENCY RANGE	MHz	40... 790			
TV TERR. TAP LOSS	dB	-15	-16	-18	-20
TRUNK LOSS TV TERR.	dB	≤ 2,5	≤ 2,5	≤ 3,5	≤ 3,5
COMMON SPECIFICATIONS					
SEPARATION SATELLITE / TV TERR.	dB	≥ 50			
CROSS-POLAR ISOLATION	dB	> 30			
INPUTS - OUTPUTS ISOLATION	dB	> 30			
RETURN LOSS	dB	> 12			
MAXIMUM TOTAL CURRENT DRAIN @20V	mA	350	700	1.050	1.400
OPERATING TEMPERATURE RANGE	°C	0... 50			
DIMENSIONS	mm	104x110x39	144x110x39	184x110x39	224x110x39



1 - Satellite trunk inputs for one Quattro or two WideBand LNB

2 - TV Terrestrial trunk input

3 - Tap output status led (green legacy / blue SCR/dCSS)

4 - Tap output connectors for Satellite/Tv Terrestrial

5 - TV terrestrial trunk output

6 - Satellite trunk output

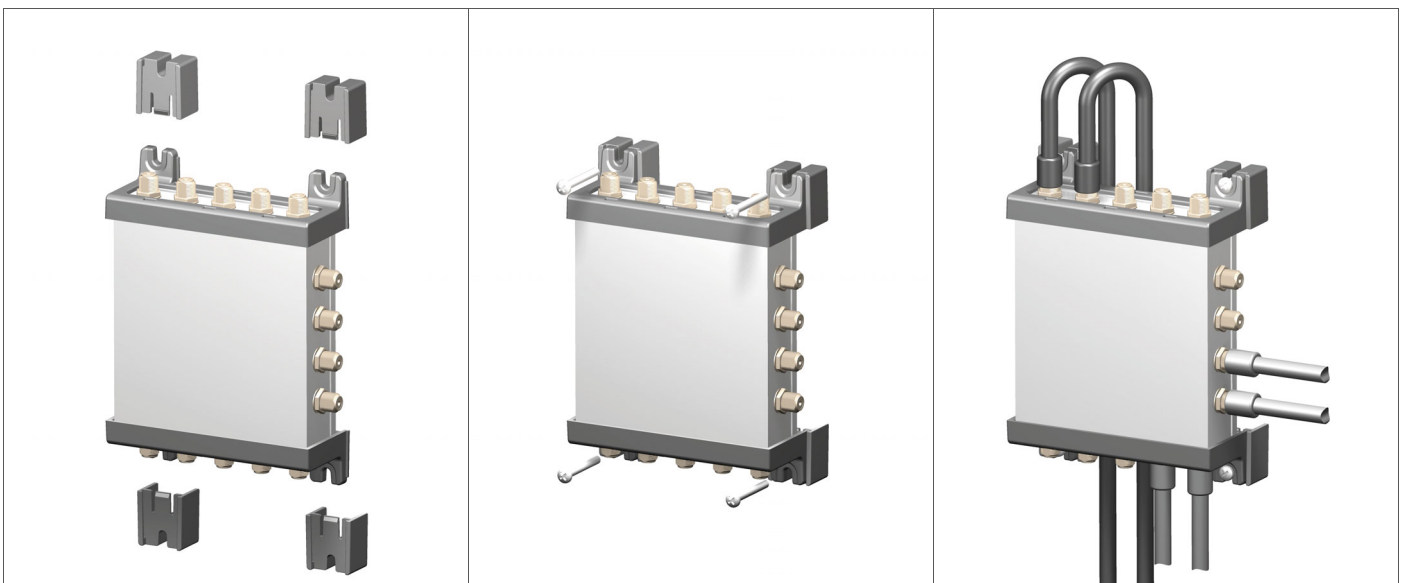
7 - Ground connection

8 - DC input with self resetting fuse for short circuit protection

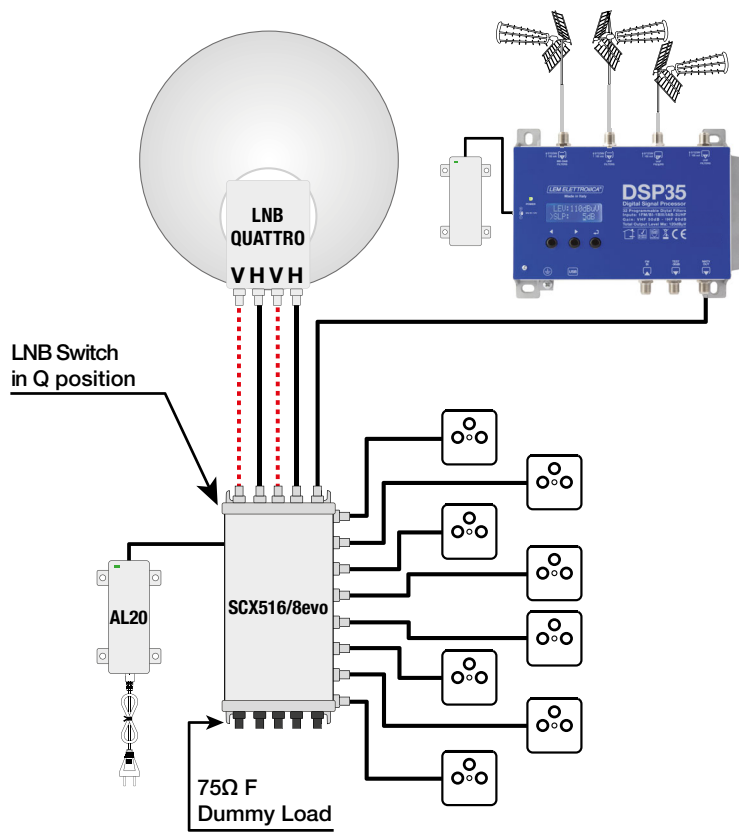
9 - Power status led

10 - QR code to check the SCR/dCSS user band frequency plan

11 - Quattro / WideBand LNB switch selector

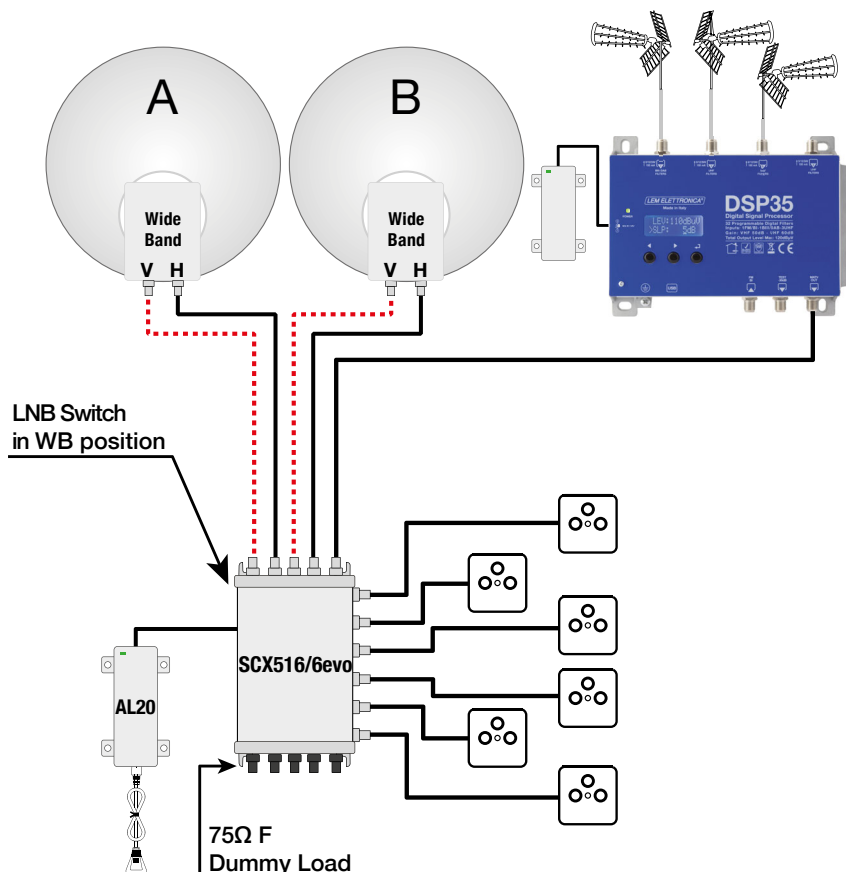


Spacers supplied to make easy the passage of the coaxial cables under the multiswitch.



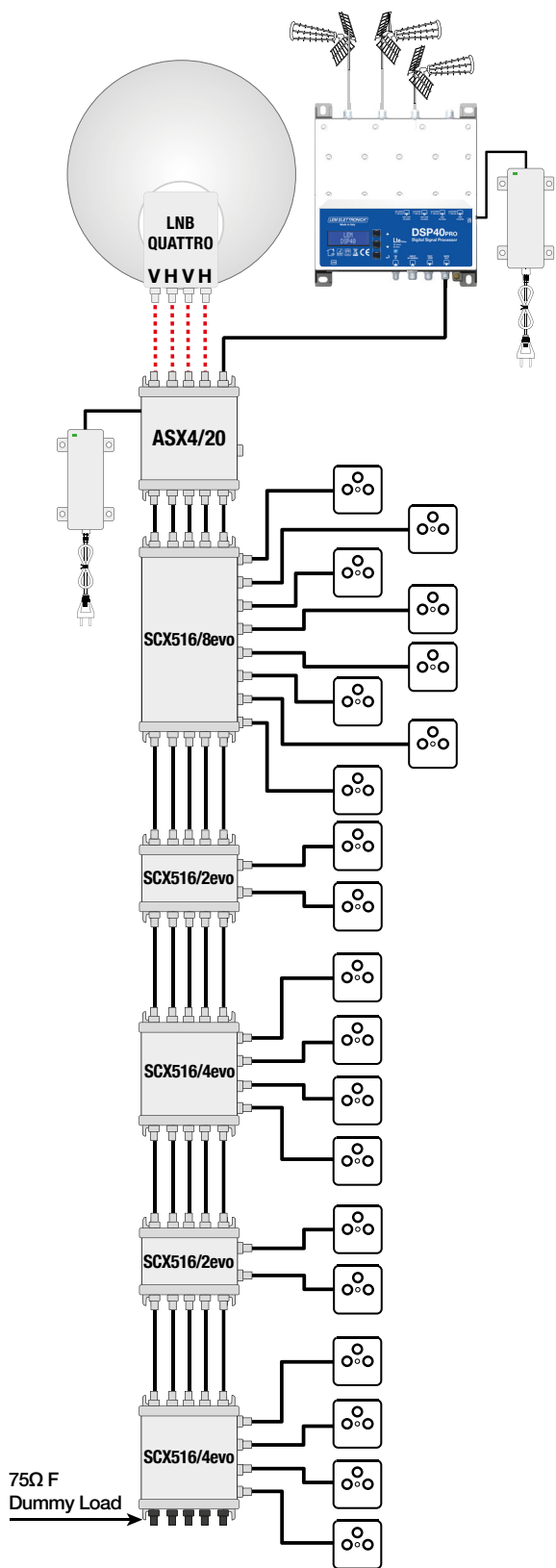
Stand-alone application of a SCX516/8evo for a single feed satellite reception with a standard Quattro LNB.

Powering Line



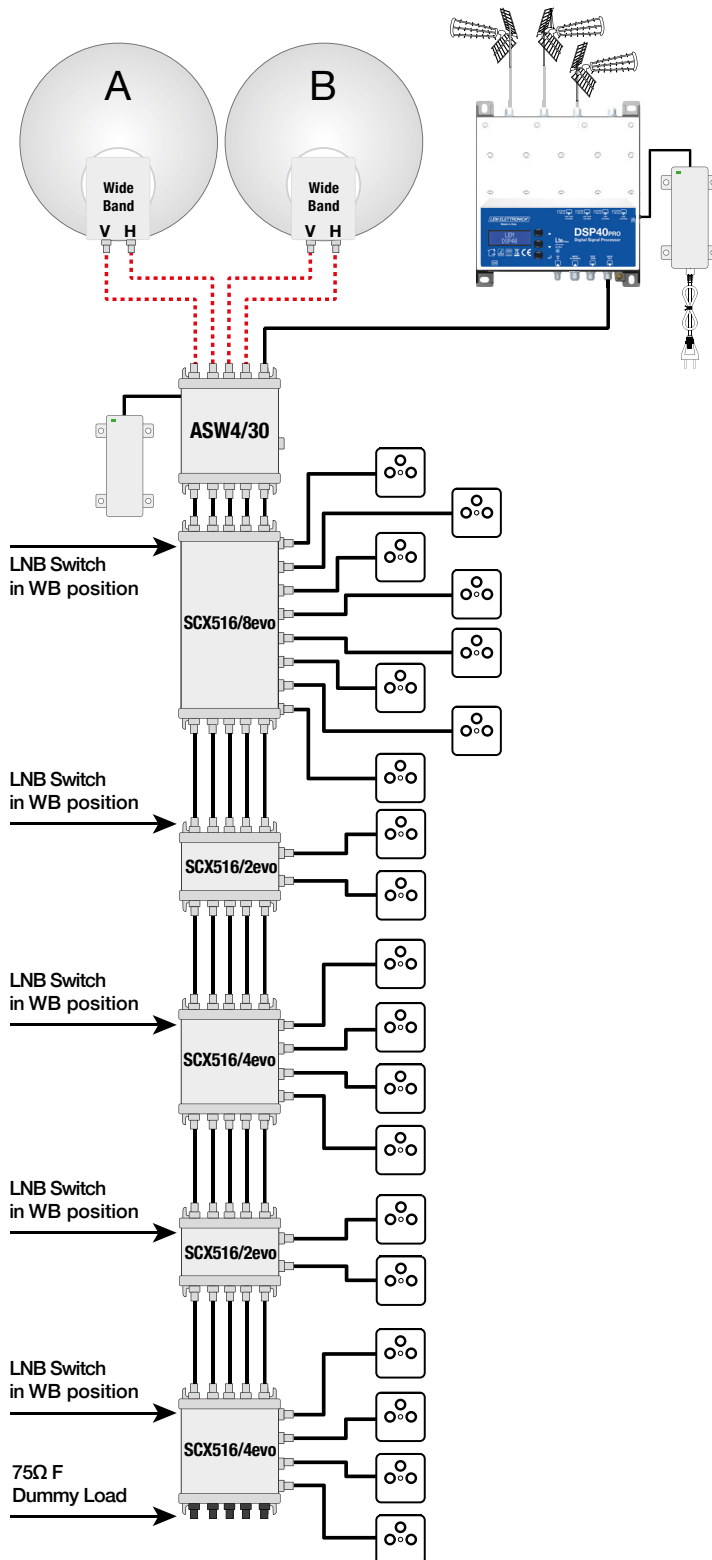
Stand-alone application of a SCX516/6 evo for a dual feed satellite reception with two Wideband LNB.

Powering Line



Cascade application for a single feed satellite reception with a standard Quattro LNB.

Powering Line



Cascade application for a dual feed satellite reception with two Wideband LNB.

Powering Line