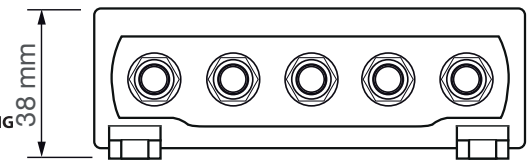
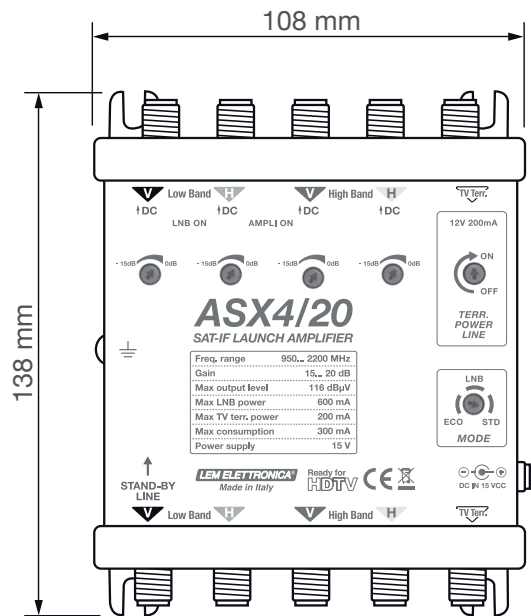


ASX4/20

- IF-SAT 4 ways headend amplifier - 20 dB
- Gain adjuster for each input
- Optimised gain slope
- Power save mode
- Power supply for QUATTRO-LNB (15V)
- Selectable TV 0/12V for Terr. Remote power supply
- DC power input for external power supplier (ALS15 or AL15B)



Ready for HDTV

MADE IN ITALY

5 ANNI GARANZIA

ENERGY SAVING Power save mode

ITEM	ASX4/20	
NUMBER OF IN/OUT	5 / 5	
FREQUENCY BAND IF-SAT	MHz	950... 2200
GAIN @950 MHZ	dB	15
GAIN @2150 MHZ	dB	20
TV TERR. LOSS	dB	-0,5
IF-SAT GAIN ADJUSTER	dB	4 x 0/-15 dB
OUTPUT LEVEL MAX.	dBμV	116*
NOISE FIGURE	dB	≤ 7
ISOLATION BETWEEN INPUTS	dB	> 35
ISOLATION BETWEEN OUTPUTS	dB	> 35
RETURN LOSS	dB	> 12
QUATTRO-LNB POWERING	VL / HL / VH / HH (15V)	
LNB POWER	600mA total / 300mA single input	
AMPLIFIER CONSUMPTION	200mA@15V	
TV TERR. REMOTE POWER	12V 200mA	
DIMENSIONS	138 X 108 X 38	

* CEI EN 50083-3 -35 dB IMA2 R.1.0

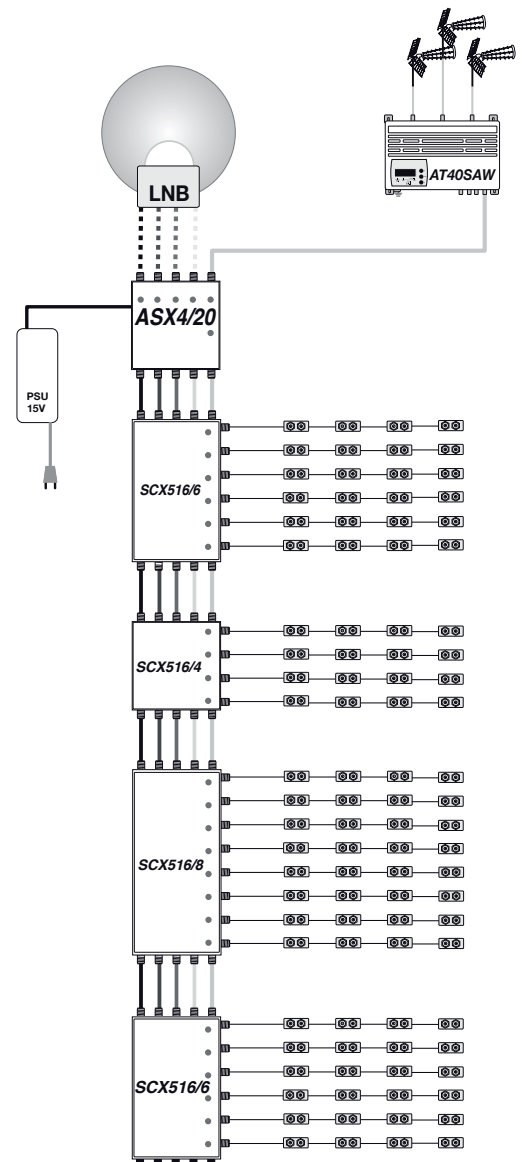
Example 1 : Network with 4 IF-SAT connections for 24 users

The LNB power supply all 4 lines from the ASX4/20, which is powered by the 15V power supply.

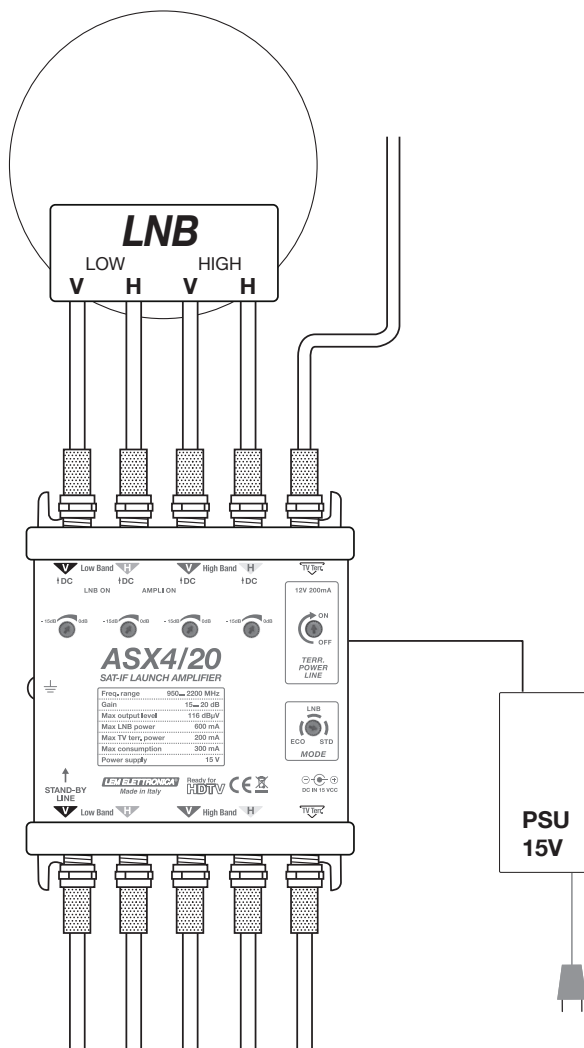
IMPORTANT:

Only use the dedicated 15V power supplier to power the ASX4/20.

The employment of other power suppliers can cause malfunctioning and damages not covered by the warranty.



CONNECTIONS



REMOTE POWER SUPPLY



Remote power supply ON 12V on the Tv Terr. input



Remote power supply OFF

HOW TO USE



Amplifier ON
LNB ON



Amplifier stand-by*
LNB ON



Amplifier stand-by*
LNB stand-by*

*It starts when the stand-by line is powered.