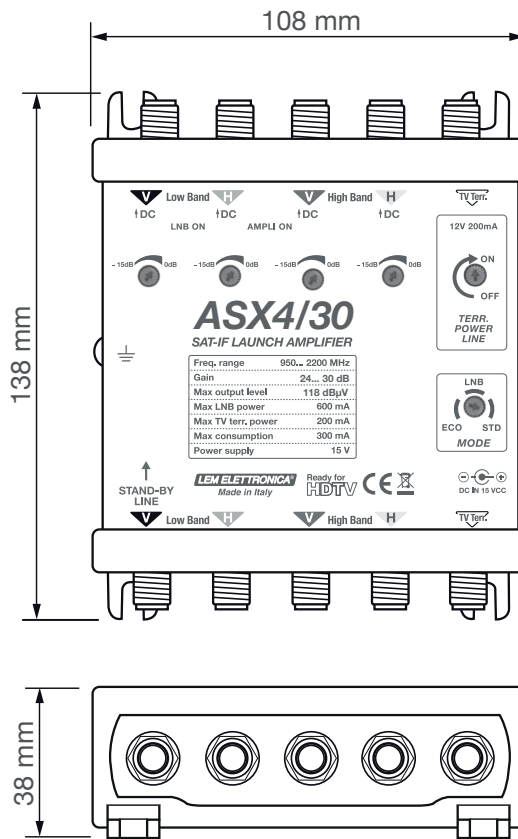


ASX4/30

- IF-SAT 4 ways headend amplifier - 30 dB
- Gain adjuster for each input
- Optimised gain slope
- Power save mode
- Power supply for QUATTRO-LNB (15V)
- Selectable TV 0/12V for Terr. Remote power supply
- DC power input for external power supplier (ALS15 or AL15B)



ITEM		ASX4/30
NUMBER OF IN/OUT		5 / 5
FREQUENCY BAND IF-SAT	MHz	950... 2200
GAIN @950 MHZ	dB	24
GAIN @2150 MHZ	dB	30
TV TERR. LOSS	dB	-0,5
IF-SAT GAIN ADJUSTER	dB	4 x 0/-15 dB
OUTPUT LEVEL MAX.	dBμV	118*
NOISE FIGURE	dB	≤ 7
ISOLATION BETWEEN INPUTS	dB	> 35
ISOLATION BETWEEN OUTPUTS	dB	> 35
RETURN LOSS	dB	> 12
QUATTRO-LNB POWERING		VL / HL / VH / HH (15V)
LNB POWER		600mA total / 300mA single input
AMPLIFIER CONSUMPTION		400mA@15V
TV TERR. REMOTE POWER		12V 200mA
DIMENSIONS		138 X 108 X 38

* CEI EN 50083-3 -35 dB IMA2 R.1.0

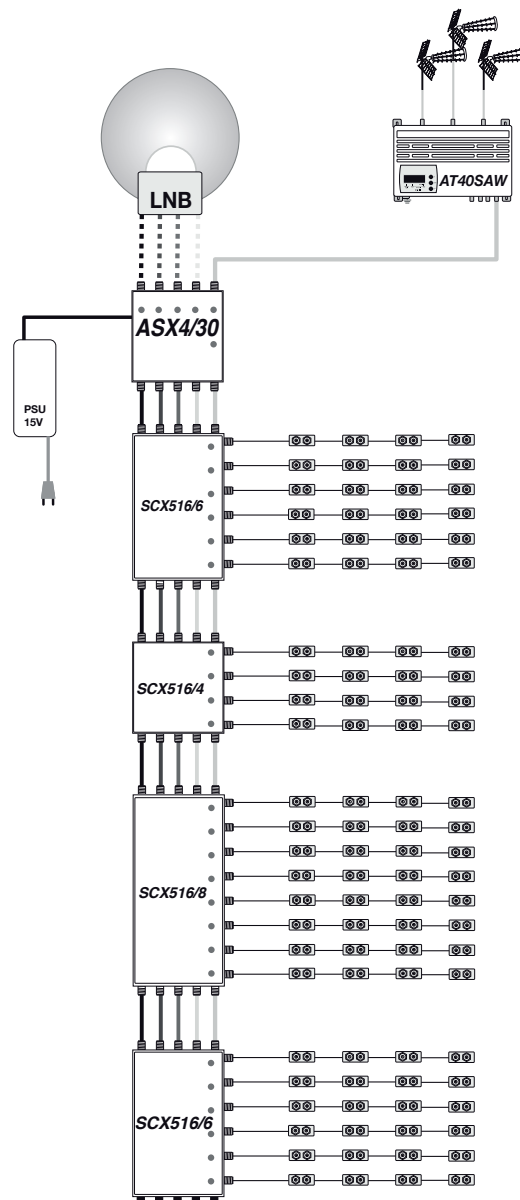
Example 1 : Network with 4 IF-SAT connections for 24 users

The LNB power supply all 4 lines from the ASX4/30, which is powered by the 15V power supplier.

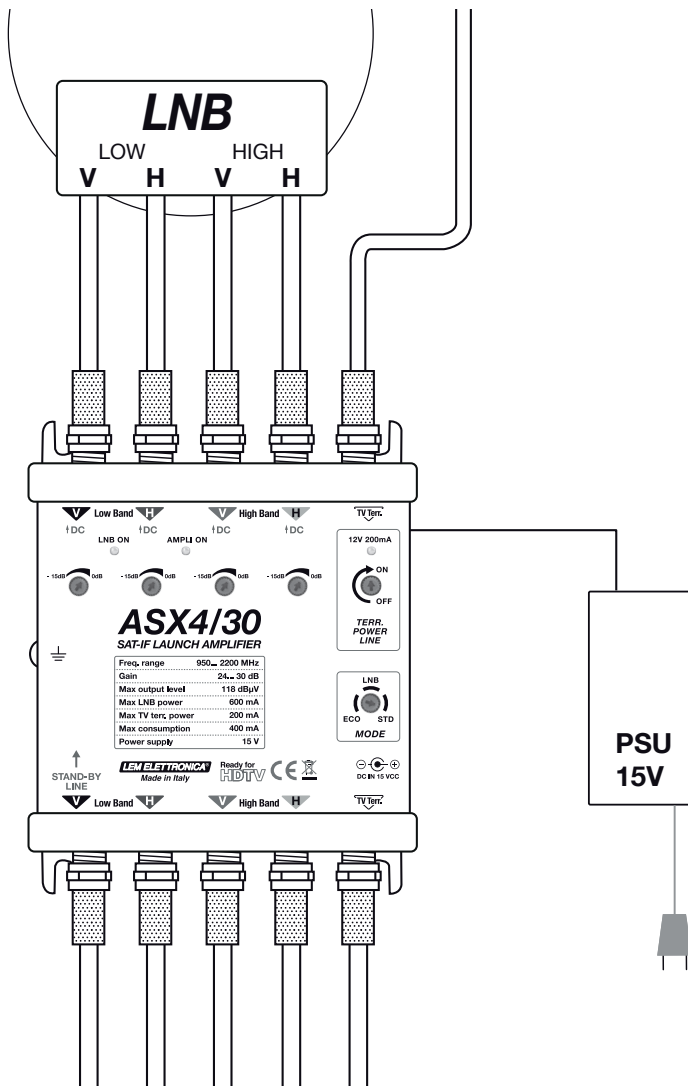
IMPORTANT:

Only use the dedicated 15V power supplier to power the ASX4/30.

The employment of other power suppliers can cause malfunctioning and damages not covered by the warranty.



CONNECTIONS



REMOTE POWER SUPPLY

<p>TERR. POWER LINE ON OFF</p>	Remote power supply ON 12V on the Tv Terr. input
<p>TERR. POWER LINE ON OFF</p>	Remote power supply OFF

HOW TO USE

<p>MODE LNB ECO STD</p>	Amplifier ON LNB ON
<p>MODE LNB ECO STD</p>	Amplifier stand-by* LNB ON
<p>MODE LNB ECO STD</p>	Amplifier stand-by* LNB stand-by*

*It starts when the stand-by line is powered.