

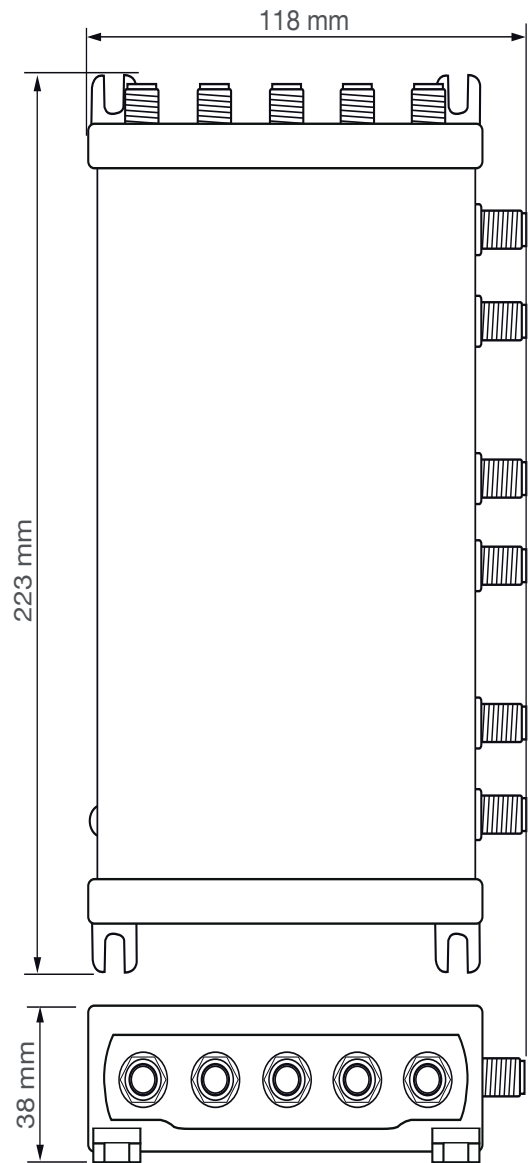
LEM ELETTRONICA®

Sistemi di ricezione Tv e Satellite

SRW516/6

Compact Hybrid Multiswitch dCSS/Legacy
4 cables SAT+TV Terrestrial

- 6 Taps for up to 96 Tuner
- LNB Quattro/Wide Band Selectable
- 16 User Bands for each tap
- dCSS/SCR/Legacy Automatic selection
- Automatic Control Gain
- Comply with EN 50494 and EN50607
- Adjustable Output level 0/+4/+8dB
- Diagnostic/Status Led



General Instructions



Electrical and electronic equipments **are not household waste**. In accordance with the European directive EN50419 (corresponding to the article 11(2) of the guideline 2002/96/EC) of the European Parliament of the Council of January, 27th 2003 on used electrical and electronic equipment, it must be disposed properly. At the end of the product life cycle please take this unit and dispose it on designated public collection points.



Installation is only permitted in dry rooms and upon a non combustible surface. Ensure that there is an adequate air circulation.



LEMELETTRONICA confirms the keeping of the EMC requirements in accordance to the EU product norm EN 50083-2 and the keeping of the safety requirements in accordance to the EU product norm EN 60728-11 by the CE sign.

Class A This product meets the more stringent screening requirements according to EN 50083-2, quality grade A.

Technical Specification SRW516/6

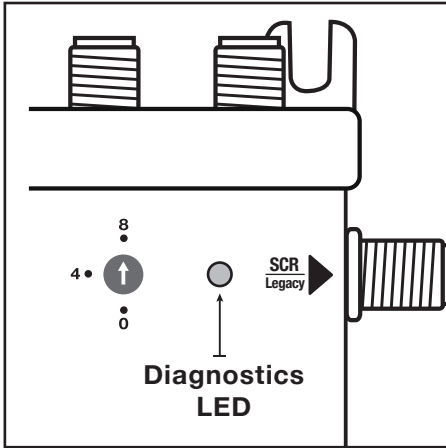
5 CABLES 6 TAPS		SRW516/6
TYPE		Compact
N° INPUTS		5
N° OUTPUTS		6
IF-SAT INPUT RANGE	MHz	250... 2400
TV TERR. INPUT RANGE	MHz	5... 790
OUTPUT RANGE	MHz	TV Trr. 5... 790 / SAT 950... 2150 MHz
IF SAT INPUT LEVEL	dB μ V	60... 100
IF-SAT INPUT A.C.G. RANGE	dB μ V	60... 90
IF-SAT OUTPUT LEVEL	dB μ V	86/90/94
TV TERR. OUTPUT LOSS	dB	- 18
RETURN PATH LOSS (5... 65 MHz)	dB	- 18
IF-SAT / TV TERR. SEPARATION	dB	\geq 50
SCR USER BAND NORMS		EN 50494 EN 50607 DiSEqC 1.0 e 2.0
LEGACY		13/18 22KHz
LNB WIDE BAND O.L. FREQUENCY	GHz	10.41
CROSS - POLAR ISOLATION	dB	> 30
INPUT/OUTPUT ISOLATION	dB	> 30
PHASE NOISE	dBc/Hz	-90 @ DELTA F=1KHZ
RETURN LOSS	dB	> 12
LNB POWER LINE		Vertical Low Band and Vertical High Band*
DECODER MAX CURRENT DRAIN	mA	10
MAX LNB POWER	mA	300
MULTISWITCH MAX CURRENT DRAIN	mA/W	900/13,5W
DIMENSIONS	mm	223 x 118 x 38

* Wide Band Mode selected

Frequency Plan SRW516

EN 50494 (SCR Standard)	EN 50607 (SCD2 / dCSS)
UB1: 1210 MHz	UB1: 1210 MHz
UB2: 1420 MHz	UB2: 1420 MHz
UB3: 1680 MHz	UB3: 1680 MHz
UB4: 2040 MHz	UB4: 2040 MHz
UB5: 985 MHz	UB5: 985 MHz
UB6: 1050 MHz	UB6: 1050 MHz
UB7: 1115 MHz	UB7: 1115 MHz
UB8: 1275 MHz	UB8: 1275 MHz
	UB9: 1340 MHz
	UB10: 1485 MHz
	UB11: 1550 MHz
	UB12: 1615 MHz
	UB13: 1745 MHz
	UB14: 1810 MHz
	UB15: 1875 MHz
	UB16: 1940 MHz

OUTPUT STATUS LED



LED	Tap
Off	No power supply from STB
Solid Green	Legacy
Solid Blue	SCR
Green (blinking)	Voltage <8,5 Volt
Blue (blinking)	Not enough power from STB

DC LED	
Off	No power supply or Short Circuit*
Solid Green	Power supply OK
Solid Red	Power overload

*The led on the power supplier blinks when there is a power overload or a short circuit.

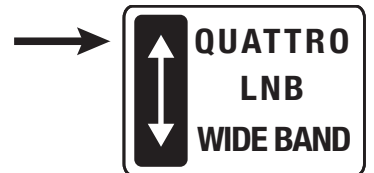
SRW516/6 Progressive Power Consumption

Each tap of the SRW516/6 is separately powered from the connected decoders and the power requested depends on the status mode (Legacy or SCR). This function optimizes the multiswitch consumptions and avoids energy waste.

LNB Quattro / Wide Band Mode Selector

The **SRW516/6** can be setup to work with a quattro LNB or with a Wide Band LNB.

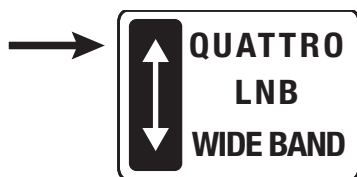
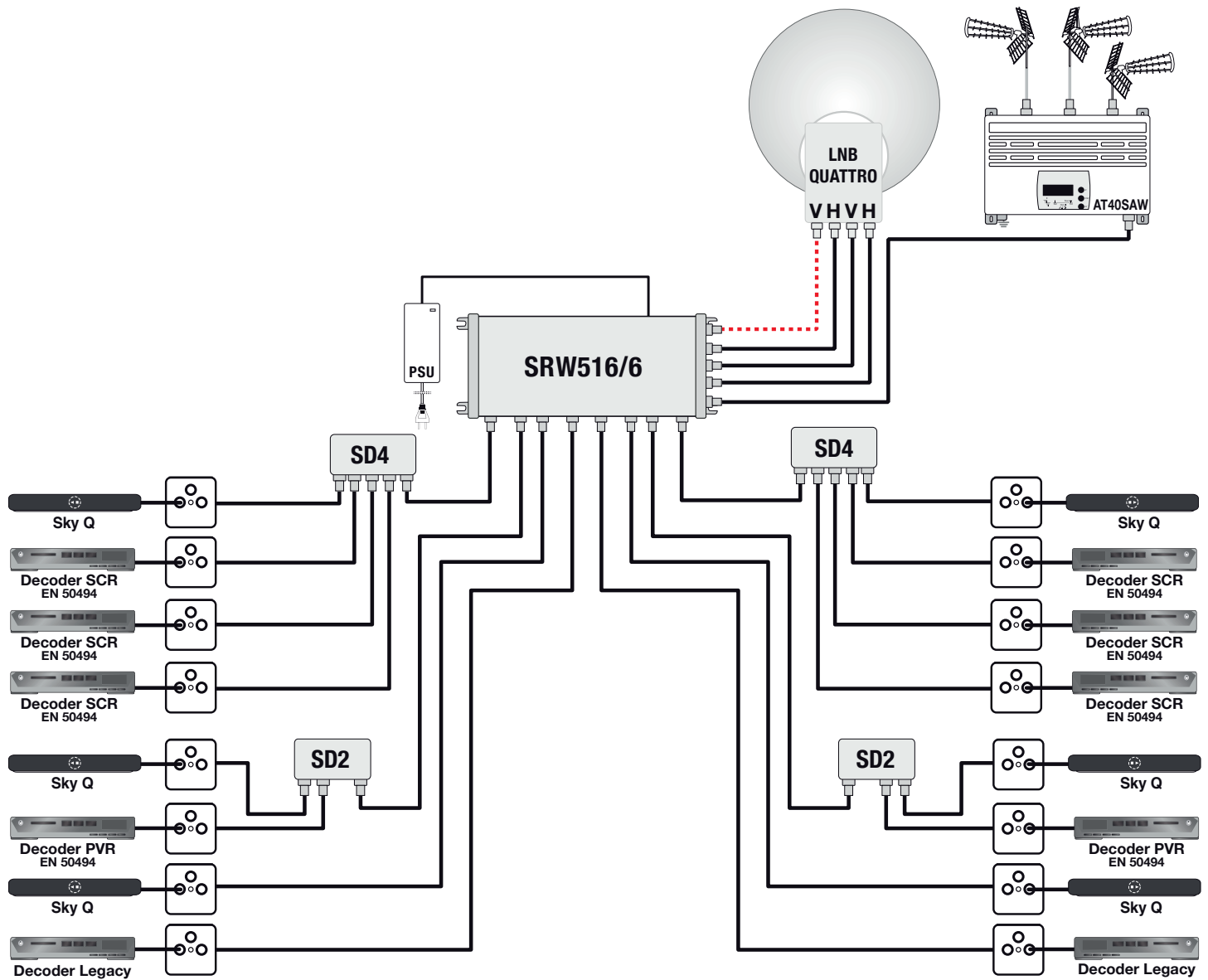
If the multiswitch is used in a distribution with a LNB QUATTRO, place the Mode Selector on QUATTRO.



If the multiswitch is used in a distribution with a LNB WIDE BAND, place the Mode Selector on WIDE BAND.

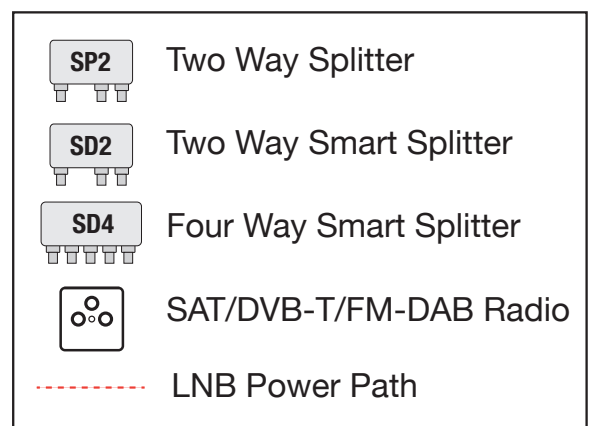
This working mode also activates the remote power supply line on the Vertical High Band.

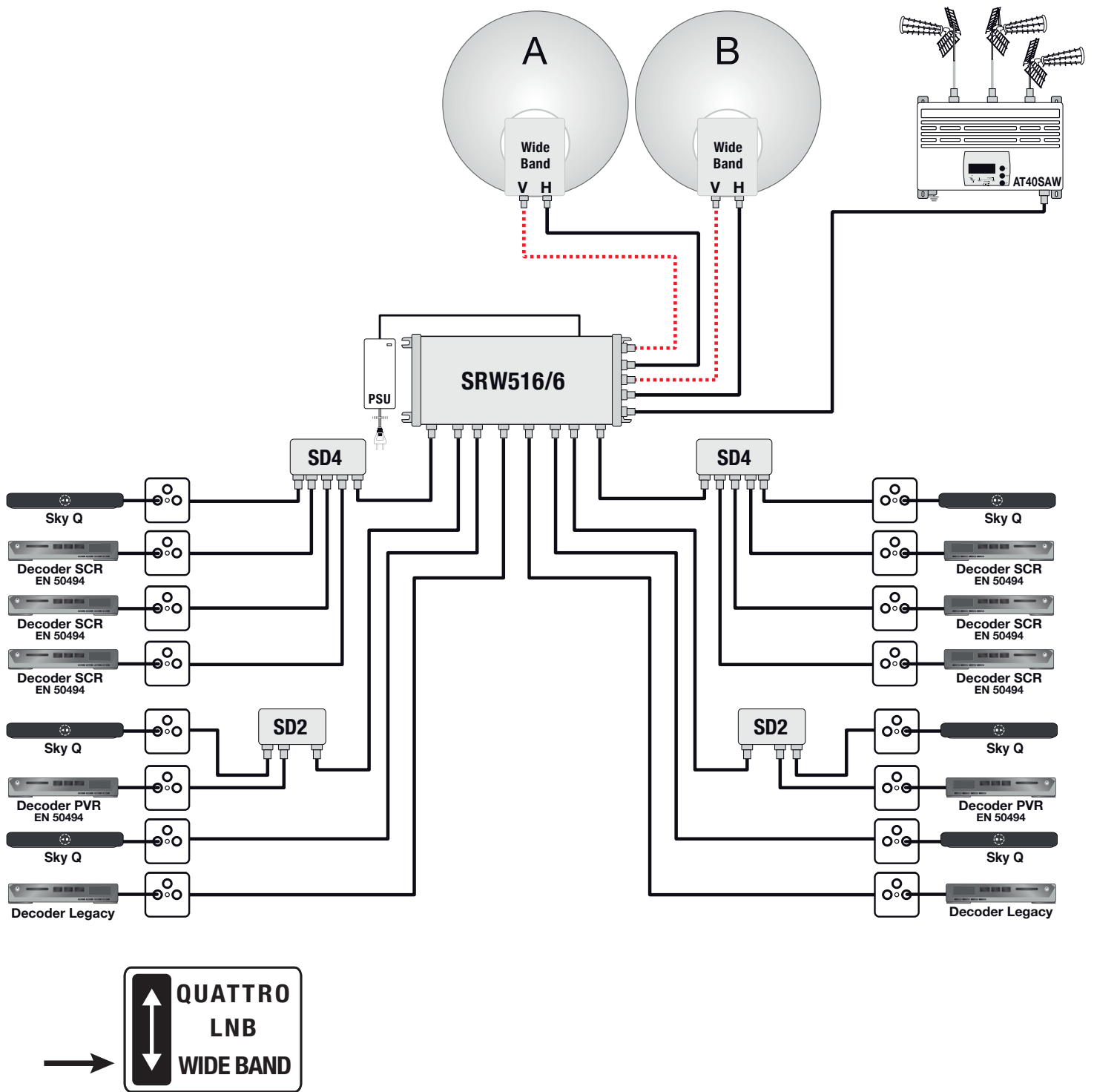




Radial Distribution with 6 taps on one satellite reception. The multiswitch **SRW516/6** and the LNB Quattro are both powered by the external power supplier (included in the multiswitch box).

When there are many decoders connected to the same tap, use the **SD2** and **SD4** smart splitters, to prevent collisions.





Radial Distribution with 4 taps on one satellite reception. The multiswitch **SRW516/6** and the LNB Quattro are both powered by the external power supplier (included in the multiswitch box).

When there are many decoders connected to the same tap, use the **SD2** and **SD4** smart splitters, to prevent collisions.

