

DSP40PRO

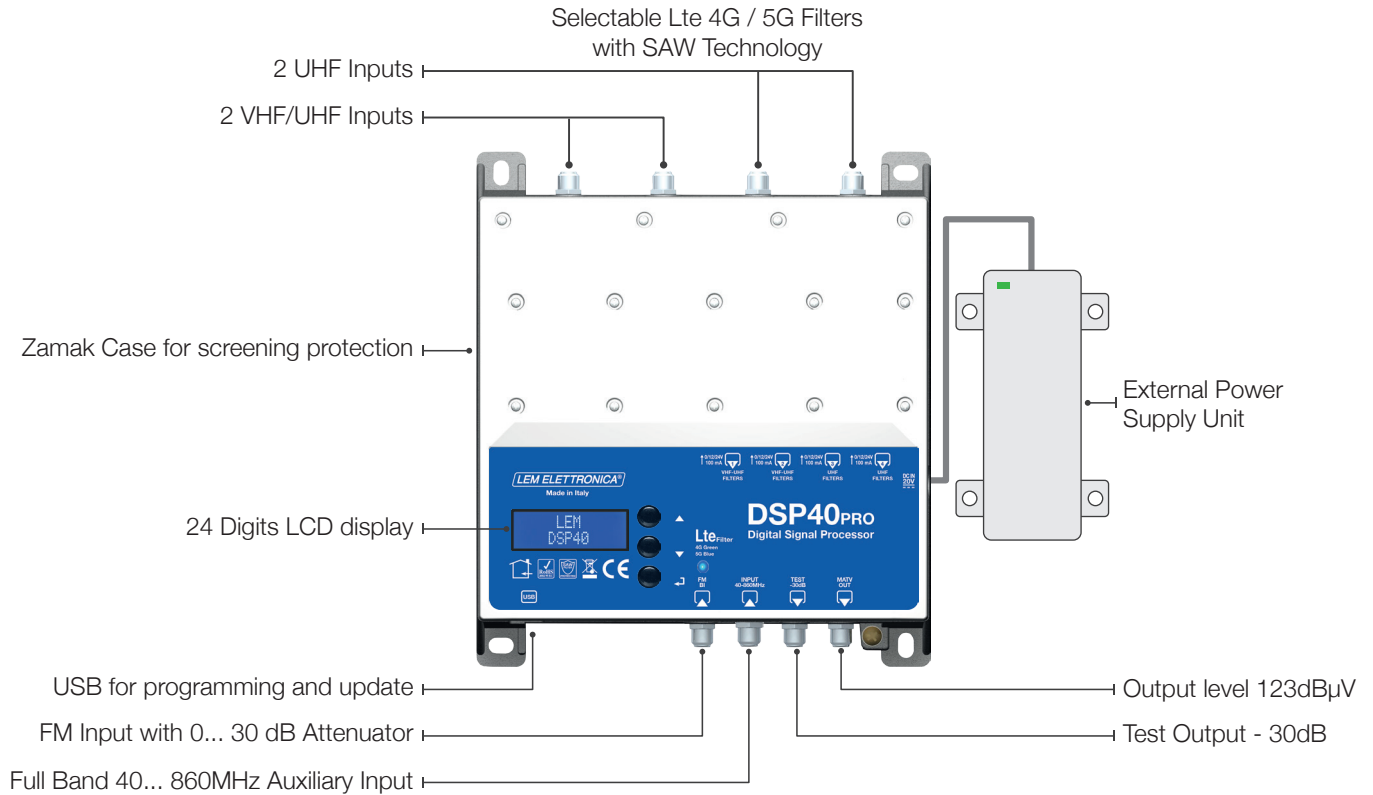
- ▶ Automatic-Programming function
- ▶ 24 Digits LCD display
- ▶ 6 Inputs
- ▶ Output Level 124dB μ V
- ▶ Selectable Lte 4G/5G SAW filters
- ▶ 32 High Selectivity Single Tpx Filters
- ▶ Single Filter real time ACG
- ▶ Die casting chassis

High selectivity programmable compact headend to digitally filter, convert and equalize DVB-T / T2 channels. The built in high output amplifier allow the use in small or medium installation plants.



MODEL		DSP40PRO
NUMBER OF INPUTS	6	1 FM; 1 VHF-UHF; 2 BIII-DAB/UHF; 2 UHF
INPUTS FREQUENCY RANGE	MHz	FM (40... 108) BIII (170... 320) / DAB (170... 340) / UHF 470... 694/790/862 AUX (40... 862)
SINGLE CHANNEL FILTERS		32
NUMBER OF CHANNEL PER FILTERS		1... 2
INPUT LEVEL RANGE	dB μ V	FM 35... 90 - BIII/DAB 40... 110 - UHF... 40... 110
BI/FM INPUT ATTENUATOR	dB	FM 0...-30
BIII-DAB / UHF ATTENUATORS	dB	0... -20
A.C.G. RANGE	dB	40 dB
SELECTIVITY	dB	35 @1MHz
INTER-STAGE ATTENUATOR	dB	0...-20
BI/FM GAIN	dB	45
AUX GAIN	dB	40
VHF GAIN	dB	40
UHF GAIN	dB	50
MAX OUTPUT LEVEL	dB μ V	124 (IM3 DIN 45004B - 60 dBc)
RETURN LOSS IN/OUT	dB	>12
TEST OUTPUT		1 (-30 dB)
USB CONNECTOR		USB 1.0 / 2.0 Type B
REMOTE POWER SUPPLY VHF-UHF		12V / 24V 100 mA
POWER SUPPLY		230 VAC +/-20% 16W Max (External power supplier DC 20 Volt 2,25A)
OPERATING TEMPERATURE	C°	-5... 50
DIMENSIONS	mm	192 x 217 x 37

DSP40 Connections Schematic



Programming Options

Direct Programming

Setting the on-board 24 digits display



Self programming

The Auto-tuning function scan and detect DVB-T/T2 signals from the VHF/UHF inputs and allocate a single digital filter for each transponder.



Applications Programming

With the user friendly application LEMGUI available for PC Windows and Android IOS devices all the DSP40PRO parameters can be set, stored and retrieved.

